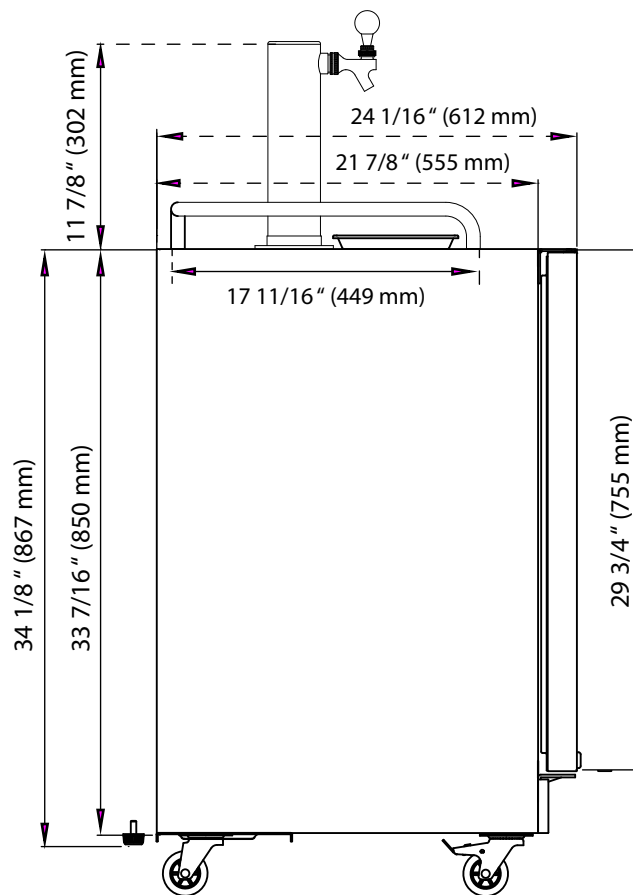
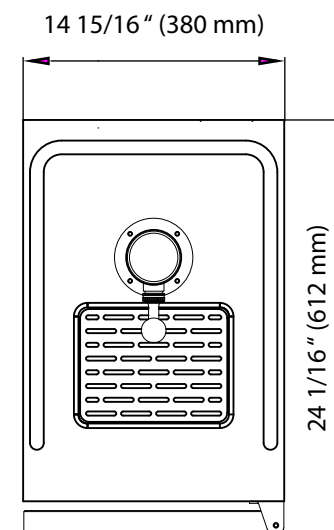


Front View

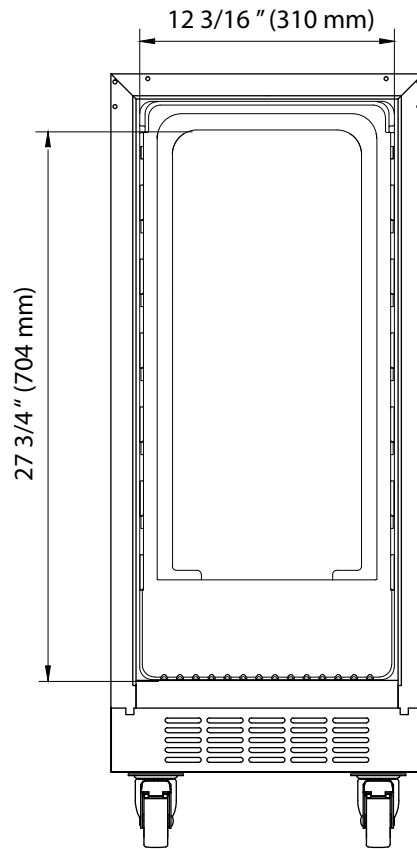


Side View

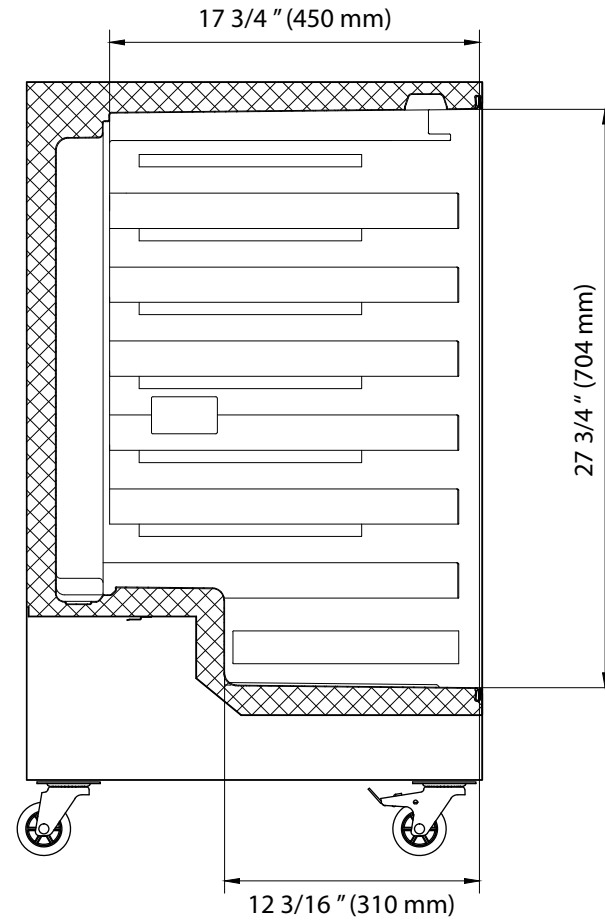


Top View

*Tower dimensions are approximate and may vary depending on your customized setup. In order for your unit to cool and operate correctly, the tower must be installed per the instructions in the user's manual. It is highly recommended that you have the unit onsite before making any modifications to countertops or cabinetry in order to accommodate the tower. Improper installation may void the warranty. EdgeStar and its affiliate companies are not responsible for damage incurred through the installation process.



Front View



Side View

