



IP300P
Portable Ice Maker
Owner's Manual

This owner's manual provides instructions on safe installation, use, and maintenance. Please read it carefully and save it for reference.



<http://www.edgestar.com>

TABLE OF CONTENTS

IMPORTANT SAFETY INSTRUCTIONS	1
PREPARING YOUR ICE MAKER FOR USE	
IMPORTANT SAFETY TIPS.....	2
GETTING TO KNOW YOUR UNIT	3
OPERATING PROCEDURES & MAINTENANCE	
UNPACKING YOUR ICE MAKER	4
CONNECTING YOUR ICE MAKER.....	4
CLEANING AND MAINTAINING YOUR ICE MAKER.....	4
USING YOUR ICE MAKER	5
TROUBLESHOOTING.....	6
TECHNICAL SPECIFICATIONS & CIRCUIT DIAGRAM	7
LIMITED WARRANTY	8



Your safety and the safety of others is very important.

We have provided many important safety messages in this manual and on your appliance. Always read and obey all safety messages.

This is the safety alert symbol:



All safety messages will follow the safety alert symbol and the word “DANGER” or “WARNING”.



These words mean:

You can be killed or seriously injured if you don't immediately follow instructions.

All safety messages will tell you what the potential hazard is, tell you how to reduce the chance of injury, and tell you what can happen if the instructions are not followed.

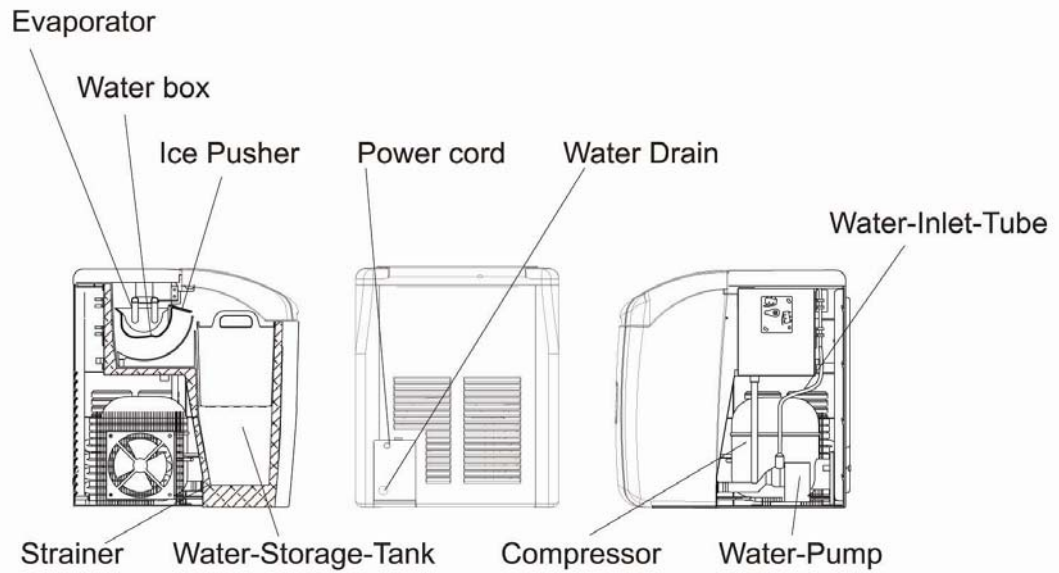
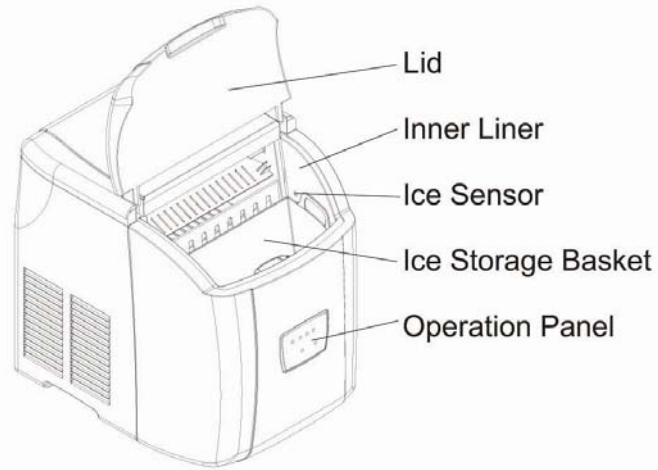
PREPARING YOUR ICE MAKER FOR USE

IMPORTANT SAFETY TIPS

When using electrical appliances, basic safety precautions should be followed to reduce the risk of fire, electric shock, and/or injury to persons or property. Read all instructions before using any appliance.

- Do not operate this or any other appliance with a damaged cord.
Connect to properly polarized outlets only. No other appliance should be plugged into the same outlet. Be sure that the plug is fully inserted into the receptacle.
- Do not run cord over carpeting or other heat insulators. Do not cover the cord. Keep cord away from traffic areas, and do not submerge in water.
- We do not recommend the use of an extension cord, as it may overheat and become a fire risk. If you must use an extension cord, use a cord of No.14 AWG minimum size and rated for no less than 1875 watts.
- Unplug the ice maker before cleaning it or making repairs.
- Exercise caution and use reasonable supervision when appliance is used near children.
- Do not clean your ice maker with flammable fluids. The fumes can create a fire hazard or explosion.
- Do not tip over.
- Do not operate with side or back panels removed.
- If the ice maker is brought in from outside in wintertime, give it a few hours to warm up to room temperature before plugging it in.

GETTING TO KNOW YOUR UNIT



OPERATING PROCEDURES & MAINTENANCE

UNPACKING YOUR ICE MAKER

1. Remove the exterior and interior packaging. Check that ice basket and ice scoop are included. If any parts are missing, please contact the vendor.
2. Clean the interior with lukewarm water and a soft cloth. Take out the ice basket and clean it.
3. Find a location for your ice maker that is protected from direct sunlight and other sources of heat (i.e., stove, furnace, radiator). Place the ice maker on a level surface. Make sure that there is at least 5 inches of space between the back and sides of your ice maker and the wall.
4. Allow one hour for the refrigerant to settle before plugging ice maker in.
5. The appliance must be positioned so that the plug is accessible.

CONNECTING YOUR ICE MAKER



DANGER

*** Improper use of the grounded plug can result in the risk of electrical shock. If the power cord is damaged please call service.**

1. This unit should be properly grounded for your safety. The power cord of this appliance is equipped with a three-prong plug which mates with standard three prong wall outlets to minimize the possibility of electric shock.
2. Plug your appliance into an exclusive, properly installed, grounded wall outlet. Do not under any circumstances cut or remove the third (ground) prong from the power cord. Any questions concerning power and/or grounding should be directed toward a certified electrician.
3. This appliance requires a standard 110~120 volt, 60Hz electrical outlet with three-prong ground.

CLEANING AND MAINTAINING YOUR ICE MAKER

Before using your ice maker, you are strongly recommended to clean it thoroughly.

1. Take out the ice basket.
2. Clean the interior with diluted detergent, warm water and a soft cloth.
3. The outside of the ice maker should be cleaned regularly with a mild detergent solution and warm water.
4. Dry the interior and exterior with a soft cloth.
5. When the machine is not in use, open the water drain cap to completely drain the water reservoir.

USING YOUR ICE MAKER

1. Select the size of the ice cube by pressing the “Size” button. If the room temperature is lower than 60°F, it is best to select the small or medium ice size, otherwise the ice cubes might stick together.
2. Open the cover, remove the ice basket and pour water into tank. Keep water level below the “Fill Line”.
3. Press “On” on the control panel to begin the ice making cycle.
4. The ice making cycle lasts 7 to 15 minutes, depending on the size of the ice cubes selected.
5. While the ice maker is on, verify the water level periodically. If the water level is too low, the ice maker will stop automatically, and the “Add Water” indicator will turn on. Press the “Off” button, fill the unit with water, and then press the “On” button. Allow the refrigerant inside the compressor at least 3 minutes to settle before restarting.
6. The ice maker automatically stops working when the ice basket is full.
7. If you fill the unit with water, but the ice maker still does not function, empty some water out through the drain, then recap the drain. The machine should start automatically.
8. Change the water in the water reservoir periodically to ensure cleanliness and hygiene.
9. It is best to use tap water or bottled drinking water in the ice maker. Distilled water may not work. If you do use distilled water and the ice maker will not function, try adding a little salt into the water (a small amount of salt added to the water should be imperceptible).
10. If the ice does not taste good, or the unit develops a musty odor, try running a few cycles of the ice maker with a mild white vinegar solution. Then empty out all the vinegar solution and run a few cycles with plain water to eliminate all traces of the vinegar.

If the ice maker will not be used for an extended period of time, you should drain the water from the reservoir.

TROUBLESHOOTING

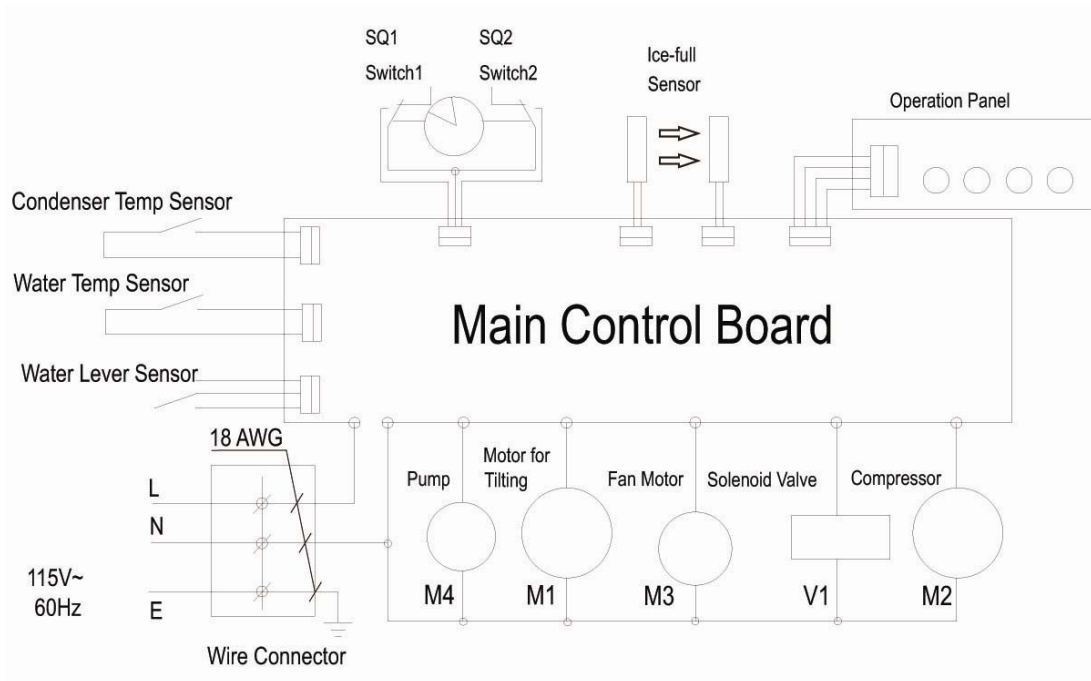
PROBLEM	POSSIBLE CAUSE	SOLUTION
The “Add Water” indicator is on.	Low water level.	Stop the ice maker, fill it with water, and then restart it.
	There is some air in the lines.	Open the drain cap on the back of the unit and drain out a small amount of water. Replace the drain cap and attempt to use the unit again.
	The unit is filled with distilled water- or some other type of water with no impurities.	Add a little bit of salt to the water or use water from a different source (tap water or bottled drinking water is best).
The “Ice Full” indicator is on.	The ice basket is full.	Remove ice from the ice basket.
The “Water” and “Ice” indicators are both flashing.	The ice pusher cannot move.	Check if the ice is blocking the ice pusher, otherwise, consult service.
The ice cubes stick together.	The ice cycle is too long.	Stop the ice maker, and restart it when the ice blocks melt. Select the small ice button.
	The water temperature in the inner tank is too low.	Change the water in the inner tank. The ideal water temperature is 45°-90°F.
The compressor makes a loud buzzing noise	The unit is being run off the wrong voltage or frequency.	Plug the unit into a 110/120 Volt, 60 Hertz power source.
	The compressor was damaged in shipping.	Contact the shipper.
The unit does nothing	Power is not supplied to the unit.	Plug the unit into a 110/120 Volt, 60 Hertz power source.
The ice making cycle seems normal but no ice is produced.	The ambient temperature or the water temperature is too high.	Please run the ice maker in temperatures below 90°F and/or pour colder water into tank.
	Refrigerant leakage.	Consult a qualified technician.
	A pipe in the cooling system is blocked.	Consult a qualified technician.

TECHNICAL SPECIFICATIONS & CIRCUIT DIAGRAM

TECHNICAL SPECIFICATIONS

Model	IP300P
Climate Type	N
Protection Class	I
Power	110V~120V/60Hz
Rated Current	3.5 A
Power Input	150W
Refrigerant	R134a/3oz
Size (HXWXD)	12InX15InX15In

CIRCUIT DIAGRAM





For information on EdgeStar and to view our full line of products, please visit our website:
<http://www.edgestar.com>

EdgeStar Products
Box 81336
Austin, Texas 78708-1336
Toll Free: 1-866-319-5473