



**EAC211TS**  
**Evaporative Air Cooler**  
Owner's Manual

This owner's manual provides instructions on safe installation, use, and maintenance. Please read it carefully and save it for reference.



<http://www.edgestar.com>

## **Thank you**

Thank you for purchasing an EdgeStar tower air cooler. Rest assured that all EdgeStar products are designed and manufactured to the highest standards. We would like you to be able to fully utilize all features of this portable air cooler, so please take the time to read this owner's manual in full prior to using the unit.

Here are a few of the features of this appliance:

- Strong airflow with a quiet motor
- Washable air filter
- Fabric water curtain for air cleaning and cooling
- Auto tower oscillation function
- Large water reservoir for extended cooling
- Built-in timer
- LED display

This air cooler combines a slim, attractive exterior with powerful air cooling- plus it includes air purification functions as well.

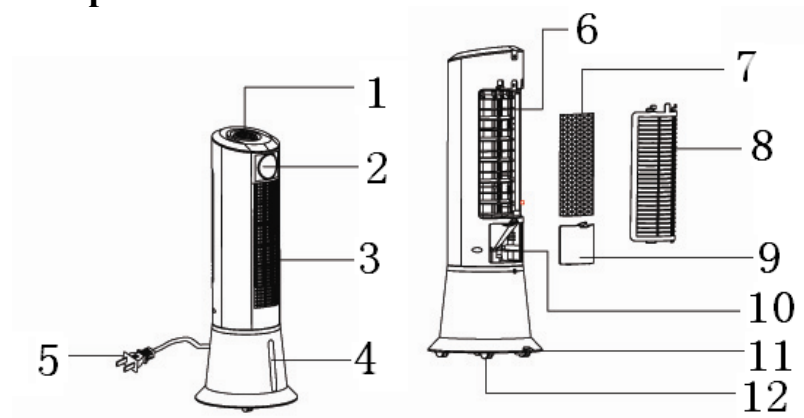
## **Warnings**

- Use this unit only on 110-115-120V, 60Hz electrical circuits
- View the rating label on the unit for power requirements
- Keep all fingers and other foreign objects clear of the internal fan at all times
- Contact EdgeStar Service for all technical support and service at 866-319-5473
- Service by licensed technicians only
- Do not use flammable liquids or gases around the unit
- Designed for indoor use only
- Disconnect the unit prior to cleaning or service
- Please do not pull the cord to unplug the unit- pull on the plug only

## **Suggestions**

- Do not fill with water above the "MAX" line
- When the unit has water in it, be careful when moving it from place to place
- If the unit is tipped over while filled with water, immediately unplug the unit and right it. Allow the unit to dry for 24 hours prior to operating it to minimize the risk of damaging the circuit board.
- Do not put any foreign objects into the unit or water reservoir
- Clean the exterior of the unit with a soft cloth and a mild soapy water solution only
- If the unit becomes noisier as it gets older and/or the airflow becomes less robust, try cleaning the fabric water curtain and pre-filter
- Make sure the unit has adequate ventilation around it to ensure airflow both into the rear of the unit and out of the front of the unit
- The unit will cool best in low ambient humidity situations
- Unplug the unit when not in use
- Never allow unobserved children to play with or around the unit
- If the power cord is damaged, an authorized technician must replace it
- Clean the water reservoir regularly

## Components



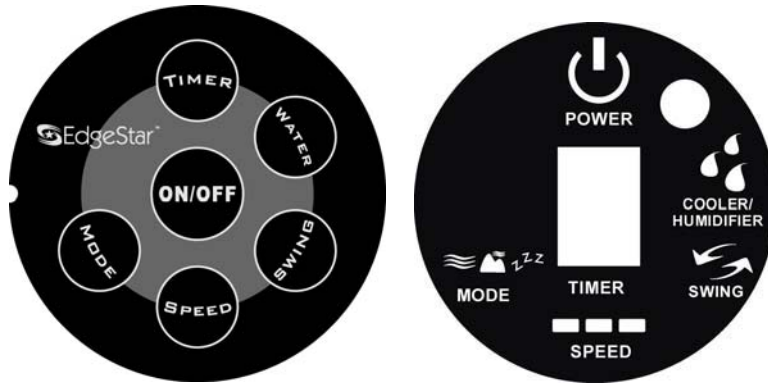
1. Control panel
2. Display
3. Air outlet
4. Water level indicator
5. Power cord
6. Air inlet
7. Fabric water curtain
8. Pre-filter
9. Water port door
10. Water port
11. Drain plug
12. Caster (unit has 4 casters)

## Included Accessories



- Ice packs (2)
- Remote control
- Owner's manual and other literature

## Control Panel and Display



Note: the buttons on the remote control have the same functionality as those on the main control panel

- ON/OFF- this button turns the unit power on or off
- TIMER- each time this button is pressed, the digit in the middle of the display increments up by 1. The digit in the display corresponds to the amount of time (in hours) that the unit will run before shutting itself off. If you do not select a timer setting, the unit will run continuously
- **WATER** - this button turns on or off the cooling, humidifying, and air cleaning function. When the “COOLER/HUMIDIFIER” light on the control panel is lit, the unit pumps water from its reservoir over the fabric water curtain. As air is drawn past this water, the endothermic effects of evaporation result in cooling. Additionally, particulate matter and smoke from the air will be “washed” out of the air and into the water reservoir.
- SWING- this button turns on or off the oscillation function. When the unit oscillates, the base remains still and the upper part of the tower turns back and forth, directing airflow around the room
- SPEED- this button adjusts the speed. There are three speed settings for airflow. Note that when the unit is initially turned on, it starts on medium speed and changes to low speed automatically
- MODE- this button toggles the airflow functions. There are three functions:
  - *Normal/manual*- this mode, represented by three horizontal wavy lines, allows you to manually set the airflow speed
  - *Natural/variable*- this mode, represented by a mountain, automatically shifts the airflow speeds between the three settings
  - *Sleep*- this mode, represented by “ZZZ”, operates like the Normal/manual mode, but the airflow speed gradually decreases over a period of 1-2 hours, and the unit eventually turns itself off. The higher the initial airflow setting, the longer the unit runs before shutting off, and the greater the different airflow speeds the unit cycles through prior to shutting off

## Unpacking and first using the unit

- Carefully open the box(es) and take the unit out. Remove all packing/plastic bags, etc.
- Set the unit upright
- Plug the unit in
- Open the water port and fill the unit with water. Do not over-fill the unit.
- Close the water port door
- Turn the unit on with the ON/OFF button and select your desired settings

*Note: the unit includes two ice boxes. To use them to boost the cooling of the unit, freeze them. Then put them into the unit's water reservoir. You may use them one at a time or concurrently.*

## Draining the unit

- If you ever need to drain the unit, first make sure the unit is in an appropriate place for drainage
- Remove the drain plug from the rear of the unit
- Allow the water to drain out
- Reinstall the drain plug

## Cleaning

- *Pre-filter*- depending on the environment, the pre-filter may require cleaning every two weeks to every two months or more. The easiest way to clean the pre-filter is to vacuum it with a brush attachment.  
If the pre-filter is exceptionally dirty, you may remove it from the unit (unplug the unit first) and wash it in a mild soap and water solution. Rinse it thoroughly and allow it to dry completely before reinstalling.  
The dirtier the air filter is, the less airflow the unit can project.
- *Fabric water curtain*- this should also be cleaned every two weeks to every two months, again depending upon the environment. Unplug the unit, remove the pre-filter, and gently remove the fabric water curtain (it should pull off the fastening strips). Wash it in a mild soap and water solution. Rinse it thoroughly and allow it to dry completely before reinstalling.  
Clean the frame on which the water curtain rests with a mild soap and water solution before reinstalling the fabric water curtain.
- *Water tank*- depending on the environment, the water tank may require cleaning every two weeks to every two months or more. If the tank becomes dirty, mildewy, or acquires hard water deposits, unplug the unit, remove the water port door and carefully clean the inside of the tank with a soft cloth and a mild soap and water solution. Rinse out the solution and drain the unit as best you can, but take care not to get any of the unit's electronics wet.  
You can also rinse the water tank with a solution of 2 tablespoons vinegar in ½ gallon of water.
- *Exterior of the unit*- unplug the unit. Carefully wash it with a mild soap and water solution and a soft cloth. Dry the unit with a soft cloth.

## Troubleshooting

*The air cooler is not functioning at all.*

- First, move the air cooler to another outlet, and test the outlet with a voltage tester or another appliance that is known to be non-defective. If the outlet is bad, contact an electrician and move the air cooler to another outlet.
- There could be insufficient amperage in the power circuit to start the unit. Check your fuses (refer to the rating label on the back of the unit for Amp draw).

*Can I put both ice packs in the water reservoir at the same time?*

- Yes

*Is there a difference between the "Cooling" and Humidifying" modes?*

- There is only a "Cooler/humidifier" mode- this mode cools, humidifies, and washes the air.

*If the unit runs out of water, is it okay to still run the "Cooler/humidifier" mode?*

- If the unit runs out of water, the pump will never kick on, and the "Cooler/humidifier" mode will never activate.

*The unit does not seem to be cooling.*

- This unit is a portable air cooler, not an air conditioner. It will lower the temperature of its airflow by up to 12 degrees F. However, it is for spot cooling only- the unit will have no effect on the ambient temperature in the room.

*The unit does not seem to be cooling the airflow by 12 degrees F.*

- This unit cools the airflow up to 12 degrees F. Actual cooling will depend on ambient conditions. For example, the lower the ambient humidity, the more pronounced the cooling will be.

*The control panel is getting hot .*

- There is no danger here. Use the remote control if necessary.

*The unit is leaking.*

- Make sure the drain plug is properly installed.
- Find the source of the leak.
  - If the unit is leaking from the bottom along the circular edge, the rubber seal is not properly seated. Remove the screws from the bottom and remove the base. Make sure the seal is in the groove properly. Reinsert the base and its screws. Contact customer service for more assistance at 866-319-5473.
  - Pick up the unit and look underneath for drips of water or a crack in the pan. If you find damage, contact the retailer as this is a shipping related issue.
  - If the unit is "spitting water" from the front of the unit, either turn down the fan speed or turn off the cooler/humidifier setting- in a high humidity environment, the unit may not be able to evaporate all the water into the air while the unit is set on high.

*The unit has oil on the outside.*

- Some oil on the outside is not abnormal. A little oil may have seeped out from the oscillating ball bearings, but can just be cleaned off with a paper towel.

# EdgeStar Limited Warranty

## One (1) Year Parts & Ninety (90) Days Labor

This product is warranted by EdgeStar to be free from defective workmanship and materials, subject to any conditions set forth as follows:

### WHAT IS COVERED:

**LABOR:** For a period of NINETY (90) DAYS from the date of original purchase, labor will be performed free of charge at an authorized EdgeStar repair facility. At its option, EdgeStar will repair the product with new or remanufactured parts, or exchange the defective product with a new, refurbished, or remanufactured product. If a product is replaced, it will carry the remaining warranty of the original product. After the ninety (90) day period, EdgeStar will no longer be responsible for labor charges incurred. All defective products and parts covered by this warranty will be repaired or replaced on a mail-in basis to an EdgeStar authorized repair facility.

**PARTS:** For a period of ONE (1) YEAR from the date of original purchase, EdgeStar will supply new, rebuilt, or refurbished parts free of charge. EdgeStar may request a defective part be returned in exchange for the replacement part. All replacement parts or products will be new, remanufactured, or refurbished. All products and parts replaced by EdgeStar under warranty service become the property of EdgeStar.

This warranty applies to the original purchaser only, and only covers defects in workmanship experienced during operation of the product under normal service, maintenance, and usage conditions. This warranty applies to the purchase and use of this product in residential settings within the United States of America.

### WHAT IS NOT COVERED:

The following limitations apply to the coverage of this warranty. This warranty does not cover:

- Labor charges for installation, setup or training to use the product.
- Shipping damage, and any damage caused by improper packaging for shipment to an authorized service center, and any damaged caused by improper voltage or any other misuse, including abnormal service, handling, or usage.
- Cosmetic damage such as scratches and dents.
- Normal wear and tear on parts or replacement of parts designed to be replaced, e.g. filters, cartridges, batteries.
- Service trips to deliver, pick-up, or repair, install the product, or to instruct in proper usage of the product.
- Damages or operating problems resulting from misuse, abuse, operation outside environmental specifications, uses contrary to instructions provided in the owner's manual, accidents, acts of God, vermin, fire, flood, improper installation, unauthorized service, maintenance negligence, unauthorized installation or modification, or commercial use.
- Labor charges incurred 91 days or more after the date of original purchase.
- The use of EdgeStar products in commercial settings.
- Optional accessories, attachments, and appearance items.
- Products that have been modified to perform outside of specifications without the prior written permission of EdgeStar.
- Products lost in shipment, or theft.
- Products sold AS IS or from an unauthorized reseller.
- Products that have had their serial numbers removed or defaced. Products with serial numbers that have been invalidated.

### OBTAINING WARRANTY SERVICE:

If you believe your product is defective, contact EdgeStar Customer Support for troubleshooting assistance and warranty service at 1-866-319-5473. Please have your serial number and proof of purchase available. Once an EdgeStar authorized representative has confirmed that your product is defective and eligible for warranty service, the product must be returned to an EdgeStar repair facility. The purchaser is solely responsible for prepaying all shipping related costs to and from the repair facility. EdgeStar is not responsible for damage resulting from shipper mishandling or improper packaging. Do not return a defective product to the place of purchase. Products received without a return authorization number will be refused.

THIS WARRANTY IS IN LIEU OF ANY OTHER WARRANTY, EXPRESS OR IMPLIED, INCLUDING WITHOUT LIMITATION, ANY WARRANTY OF MERCHANTABILITY OR FITNESS FOR A PARTICULAR PURPOSE. TO THE EXTENT ANY IMPLIED WARRANTY IS REQUIRED BY LAW, IT IS LIMITED IN DURATION TO THE EXPRESS WARRANTY PERIOD ABOVE. NEITHER THE MANUFACTURER NOR ITS DISTRIBUTORS SHALL BE LIABLE FOR ANY INCIDENTAL, CONSEQUENTIAL, INDIRECT, SPECIAL, OR PUNITIVE DAMAGES OF ANY NATURE, INCLUDING WITHOUT LIMITATION, LOST REVENUES OR PROFITS, OR ANY OTHER DAMAGE WHETHER BASED IN CONTRACT, TORT, OR OTHERWISE. SOME STATES DO NOT ALLOW THE EXCLUSION OF INCIDENTAL OR CONSEQUENTIAL DAMAGES, SO THE ABOVE EXCLUSION MAY NOT APPLY TO YOU. THIS WARRANTY GIVES YOU SPECIFIC LEGAL RIGHTS. YOU MAY HAVE OTHER RIGHTS THAT VARY FROM STATE TO STATE.



EdgeStar Products  
Box 81336  
Austin, TX 78708-1336

Toll Free: 1-866-319-5473  
Web: <http://www.edgestar.com>  
E-mail: [service@edgestar.com](mailto:service@edgestar.com)

Register your product, download owner's manuals, access additional troubleshooting resources, and obtain more information on other great EdgeStar products on the web at: <http://www.edgestar.com>

Product contents and specifications may change without notice.

Copyright © 2009 Living Direct, Inc.