



AP510
Portable Air Conditioner
Owner's Manual

This owner's manual provides instructions on safe installation, use, and maintenance. Please read it carefully and save it for reference.



For information on EdgeStar and to view our full line of products, please visit our website:
<http://www.edgestar.com>

EdgeStar Products
Box 81336
Austin, Texas 78708-1336
Toll Free: 1-866-319-5473



<http://www.edgestar.com>

Table of contents

Table of contents	1
Thank you	2
Energy saving tips	2
Notes	2
Specifications	3
Safety precautions	3
Parts	5
Installation	6
Control panel	8
Settings	8
Remote control	9
Manual drainage	9
Maintenance	9
Filter	10
Long term storage	10
Troubleshooting	11
Limited warranty	12

EXCLUSION OF INCIDENTAL OR CONSEQUENTIAL DAMAGES, SO THE ABOVE EXCLUSION MAY NOT APPLY TO YOU. THIS WARRANTY GIVES YOU SPECIFIC LEGAL RIGHTS. YOU MAY HAVE OTHER RIGHTS THAT VARY FROM STATE TO STATE.

This warranty does not cover service trips to deliver, pick-up, repair, or install the product, or to instruct in proper usage of the product.

Damages or operating problems resulting from abuse, operation outside environmental specifications, uses contrary to instructions provided in the owner's manual, accidents, vermin, fire, flood, improper installation, unauthorized service, acts of God, unauthorized installation or modification, or commercial use are excluded from warranty coverage.

This warranty does not cover labor incurred 91 days or more after the date of original purchase.

This warranty does not cover use of EdgeStar products in commercial settings.

DESCRIPTION OF WARRANTY SERVICE:

All defective product components covered by this warranty will be repaired or replaced, at EdgeStar's option, free of charge on a mail-in basis to EdgeStar's authorized repair facility during the first 90 days from the date of original purchase.

All defective product components covered by this warranty will be repaired or replaced, at EdgeStar's option, on a mail-in basis to EdgeStar's authorized repair facility during the time period beginning on the 91st day from the date of original purchase and ending one year from the date of original purchase. During this time period, parts will be supplied free of charge, but labor charges will apply.

All replacement parts and units will be new, remanufactured, or refurbished.

All products and components replaced by EdgeStar under warranty service become the property of EdgeStar.

OBTAINING WARRANTY SERVICE:

Contact EdgeStar for troubleshooting assistance and warranty service authorization at 1-866-319-5473. Please have your order receipt available to confirm the date of purchase.

Once an EdgeStar authorized representative has confirmed that your product is eligible for warranty service, the product must be returned to an EdgeStar authorized repair facility.

The purchaser is solely responsible for prepaying all shipping related costs to and from the repair facility.

EdgeStar is not responsible for damage resulting from shipper mishandling or improper packaging.

Do not return defective product to the place of purchase.

THIS WARRANTY IS IN LIEU OF ANY OTHER WARRANTY, EXPRESS OR IMPLIED, INCLUDING WITHOUT LIMITATION, ANY WARRANTY OF MERCHANTABILITY OR FITNESS FOR A PARTICULAR PURPOSE. TO THE EXTENT ANY IMPLIED WARRANTY IS REQUIRED BY LAW, IT IS LIMITED IN DURATION TO THE EXPRESS WARRANTY PERIOD ABOVE. NEITHER THE MANUFACTURER NOR ITS DISTRIBUTORS SHALL BE LIABLE FOR ANY INCIDENTAL, CONSEQUENTIAL, INDIRECT, SPECIAL, OR PUNITIVE DAMAGES OF ANY NATURE, INCLUDING WITHOUT LIMITATION, LOST REVENUES OR PROFITS, OR ANY OTHER DAMAGE WHETHER BASED IN CONTRACT, TORT, OR OTHERWISE. SOME STATES DO NOT ALLOW THE

Thank you

Thank you for purchasing an EdgeStar portable air conditioner. Rest assured that all EdgeStar products are designed and manufactured to the highest standards. We would like you to be able to fully utilize all features of this portable air conditioner, so please take the time to read this owner's manual in full prior to using the unit.

Energy saving tips:

1. Use the portable air conditioner for the recommended room size. Rooms that are too small can cause the unit to short cycle and work inefficiently. Rooms that are too large will never cool completely.
2. Be careful not to obstruct the air flow coming out of the portable air conditioner. A powerful, unobstructed airflow is crucial for optimum cooling.
3. Keep blinds and curtains closed during the sunniest part of the day.
4. Clean the filter often, and replace it as needed.
5. Close your fireplace damper, floor grills, and wall grills to prevent cool air from escaping.
6. Avoid opening doors frequently
7. Note that each additional person in room adds between 100-150 BTU of heat, so the more people in a room, the more cooling capacity is required
8. Set the portable air conditioner to maximum cooling and high speed airflow when you first start it up, and then adjust the unit to a comfortable setting.

Notes:

The portable air conditioner must be plugged into an appropriate power outlet. Refer to the rating label on the back of the unit for more information.

The portable air conditioner is a compressor-driven cooling system. The air conditioner has an anti-overheating safety feature that can delay the compressor from starting for three minutes after the air conditioner turns on or when a mode change is made. If the compressor does not immediately start, it is likely because of this feature. To protect the compressor from overheating or freezing, it will only operate when the ambient temperature is between 64° and 95°F.

Always unwind the power cord completely before use.

In all modes but FAN mode, the exhaust hose should be used for maximum efficiency and to expel all condensed water out of the room.

Specifications	
Model	AP510
Power consumption for cooling mode	1200W
Humidity removal capacity	95 pints/day
Noise level	<56 dbA
Power supply	115V/ 60Hz
Refrigerant	R-22
Refrigerant Load	16.2 oz
Thermostat	60°F-90°F
Net weight	75 pounds
Dimensions	44"h x 21 3/5"w x 18 1/2"d

Safety precautions:

1. Transport the portable air conditioner in an upright position only. If the unit is tipped over, make sure it stands upright for at least 3 hours prior to turning it on.
2. Always place the unit on a level surface.
3. In order to cool, the hot air from the exhaust port in the rear of the portable air conditioner must be exhausted outside the room.
4. Make sure the portable air conditioner is connected to a grounded power outlet.
5. This portable air conditioner is designed to operate in an ambient temperature of 64°-95° F.
6. This portable air conditioner has been designed for residential use.
7. Always turn the portable air conditioner off before unplugging it.
8. Do not damage the power cord.
9. Do not use this portable air conditioner for functions other than those described in this owner’s manual.
10. Do not tilt the portable air conditioner.
11. Do not cover or obstruct the intake or outlet grills.
12. Do not use the portable air conditioner in a wet room- such as a bathroom or laundry room- to avoid the possibility of shock.
13. Do not bend or crush the exhaust hose while in use.
14. Do not sit on, or place articles on, the portable air conditioner.
15. Do not touch the portable air conditioner with wet or damp hands
16. Do not let chemical substances come into contact with the portable air conditioner.
17. Do not use the portable air conditioner in the presence of flammable substances or vapors such as alcohol, insecticides, gas, etc.
18. Do not use the plug to start or stop the unit.

	There are additional heat sources in the room, e.g., servers, computer equipment, etc.	Remove the additional heat sources.
	The filter is dusty or otherwise blocked.	Clean the filter.
	The air intake or exhaust ports are partially obstructed.	Remove the obstruction.
The air conditioner is too loud.	The unit is positioned on a hard, uneven floor, and is vibrating.	Move the unit onto a level, carpeted surface.
The LED display seems to show that the air conditioner is on, but it is not working.	The "Timer on" feature is activated.	Turn the unit on with the power button to deactivate the "Timer on" feature.
The unit is making some strange noises, like gurgling, swishing, hissing, "ping" noises, etc.	The unit may make these noises for any number of reasons without being defective.	If the unit is still cooling, there is nothing to worry about.

Limited warranty:

This EdgeStar product is warranted to be free from defective workmanship and materials for the first year following the date of original purchase. Replacement parts will be supplied free of charge for the first year following the date of original purchase. Labor will be performed free of charge for the first 90 days following the date of original purchase.

WHAT IS COVERED:

This warranty applies to the original purchaser only, and only covers defects in workmanship experienced during operation of the product under normal service, maintenance, and usage conditions. This warranty applies to the purchase and use of this product in residential settings within the United States of America.

WHAT IS NOT COVERED:

The following limitations apply to the coverage of this warranty: Optional accessories, attachments, and appearance items are excluded from warranty coverage, as is shipping damage, and any damage caused by improper voltage or any other misuse, including abnormal service, handling, or usage. This warranty does not cover normal wear and tear on parts or replacement of parts designed to be replaced, e.g. filters, etc.

- On a warm, sunny day, operate the unit on fan mode for a few hours to completely dry it out
- Wind the power cord about the storage hooks on the back of the portable air conditioner.

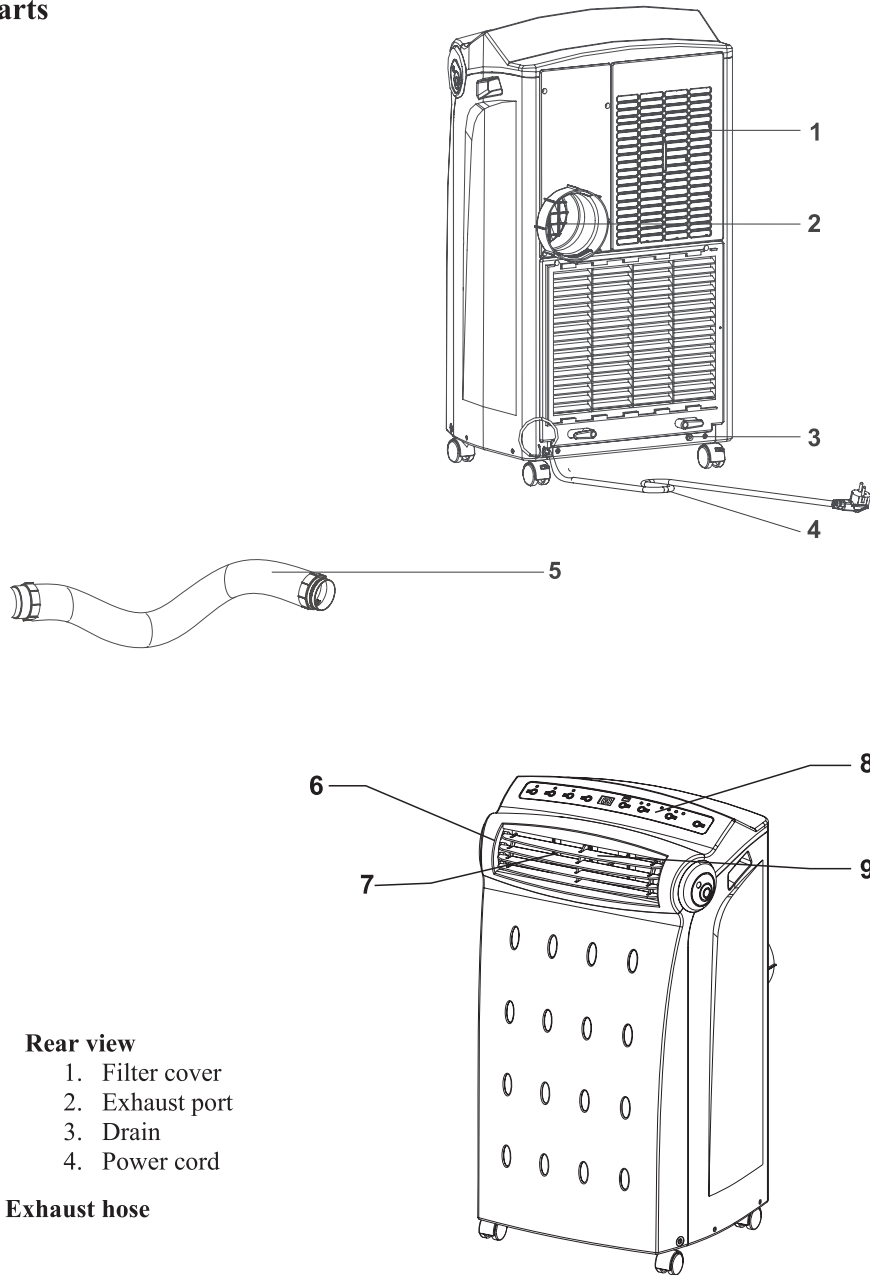
Troubleshooting

If the portable air conditioner is not working properly, it is usually due to a minor problem that the user can handle. Before calling customer service, refer to the following chart for troubleshooting:

Problem	Possible Causes	Solutions
The air conditioner will not function at all.	The plug is not properly installed into a power outlet.	Plug the unit in properly.
	There is insufficient amperage in the power circuit to start the unit.	Check your fuses (refer to the rating label on the back of the unit for Amp draw).
The air conditioner starts and then cuts out.	The unit is too close to a wall or some other obstacle.	The unit should be at least 20" away from walls and other obstacles. Move the unit.
	The unit is covered.	The unit will overheat if the air intake or exhaust ports are obstructed. Remove the obstruction.
	The "Timer off" function was activated.	Press the power button to turn the unit back on.
	The room temperature is outside the operational range of 64° - 95°F.	Use the unit within the operational range of 64° - 95°F.
The air conditioner does not seem to cool effectively.	Room is too large.	Use the unit in a smaller room.
	There is direct sunlight into the room.	Close curtains or pull down blinds; minimize the direct sunlight into the room.
	Windows or doors are open.	Close the windows or doors.

19. Do not yank on the electric cord or place it near a source of heat. If the electric cord is damaged, it must be replaced by an authorized service agent.
20. Always use the control panel to start or stop the portable air conditioner.
21. Always allow for air flow around the portable air conditioner of at least 20".
22. Always turn off the portable air conditioner when not in use.
23. Always turn the portable air conditioner off and unplug it after use, before cleaning, before carrying out maintenance, and before moving it.
24. If the electrical socket is different from the plug, have a professionally qualified electrician replace the socket with a suitable one. Do not use adapter plugs, multiple sockets, or extension cords.
25. The filter must be used at all times. When removing the filter for cleaning, turn off the unit and unplug it.
26. Make sure all children are properly supervised around this portable air conditioner.

Parts



Rear view

1. Filter cover
2. Exhaust port
3. Drain
4. Power cord

Exhaust hose

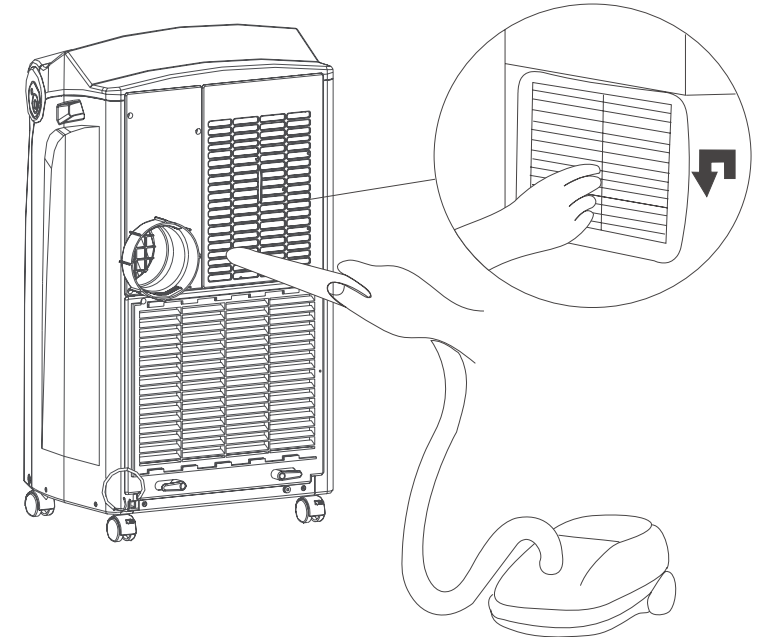
Cleaning the exterior

- Use a soft damp cloth to wipe the body clean
- Never use harsh chemicals, gasoline, etc. to clean the portable air conditioner- they may cause permanent damage to the surface.

Filter

Notes:

To keep dust from clogging the unit, never use the portable air conditioner without the filter.



The filter on the back of the unit collects dust contained in the air. It must be cleaned periodically to keep the portable air conditioner operating at maximum efficiency. We suggest that you clean the filter once every two weeks- or more often if it operates in a dusty environment.

To clean the filter, you can use a vacuum cleaner to remove some of the dust collected.

To replace the filter, pull the plastic filter cover up and out. Pull the filter out of the filter cover and insert the new filter. Replace the filter cover prior to restarting the portable air conditioner.

Long term storage

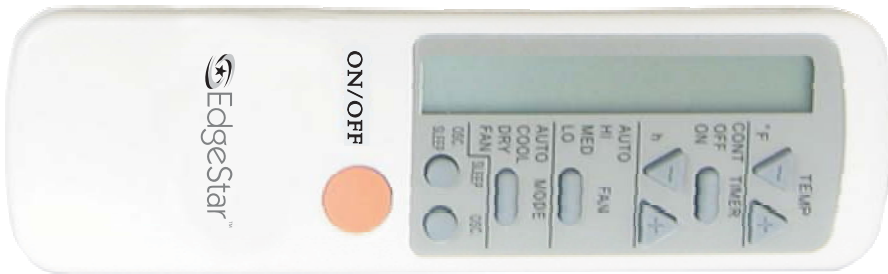
At the end of the season, or whenever you do not plan to use the portable air conditioner for an extended period of time, we suggest you take the following steps:

- Unplug the unit.
- Manually drain the internal water reservoir.
- Clean the filter.

display of the portable air conditioner matches the number on the remote. Now the number in the portable air conditioner display will begin counting down as the hours pass, and as the number reaches 0, the portable air conditioner will turn on.

To use the TIMER to turn the unit off, turn on the portable air conditioner and set the mode and temperature that you would like. Now point the remote control at the control panel and press the TIMER button. The portable air conditioner will beep if it received the message from the remote. Use the up and down buttons on the timer section of the remote to set the amount of time after which you would like the portable air conditioner to turn off. Verify that the number in the display of the portable air conditioner matches the number on the remote. Now after that number of hours passes, the portable air conditioner will turn on.

Remote Control



This portable air conditioner is equipped with a remote control. The remote control has a few features:

- TEMP – adjust the set temperature up and down with the buttons in this section
- TIMER – turn on or off the timer with this section (if CONT is selected, no timer features are active on the remote)
- FAN – the button in this section controls the fan speed
- MODE – the button in this section controls the mode of the portable air conditioner
- SLEEP / OSC. – this section contains buttons to turn on or off the SLEEP mode and oscillation function

Manual drainage

This portable air conditioner is designed to exhaust all condensate out its exhaust port. However, you may want to manually drain the condensate. To do this, simply roll the portable air conditioner to an area with a drain or put a pan underneath the drain. Pull out the rubber drain stopper and all water in the unit’s drain pan will drain out.

Maintenance

Notes:

- Always unplug the portable air conditioner before performing cleaning or maintenance.
- Never hose this air conditioner down or attempt to clean it with a dripping wet sponge or cloth.

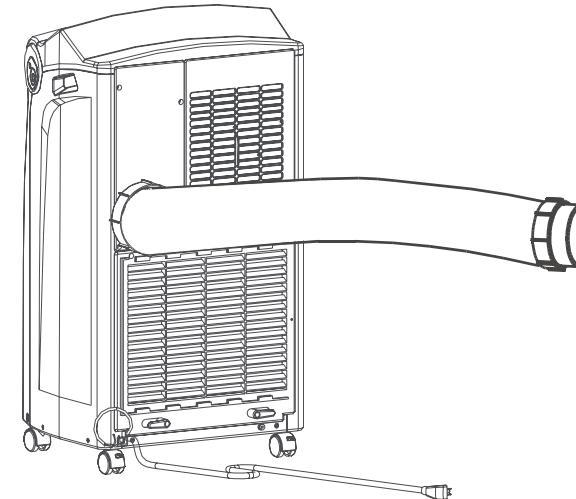
5. Exhaust hose (two identical hoses are included with your portable air conditioner- you may use them interchangeably, or use one as an exhaust hose and one as an intake hose for increased efficiency).

Front view

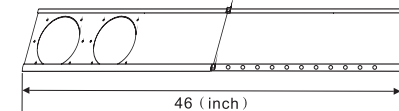
6. Air Outlet
7. Louvers- automatic left to right movement (if selected)
8. Control panel
9. Louvers- manual up and down adjustment

Installation

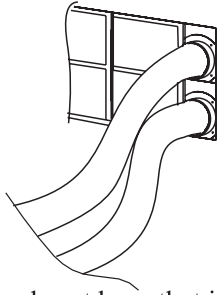
NOTE: This portable air conditioner is designed to exhaust all condensate water collected from your air. This water in either gaseous or droplet form will be expelled out the exhaust port of the unit. Please take this into account when deciding how to exhaust it.



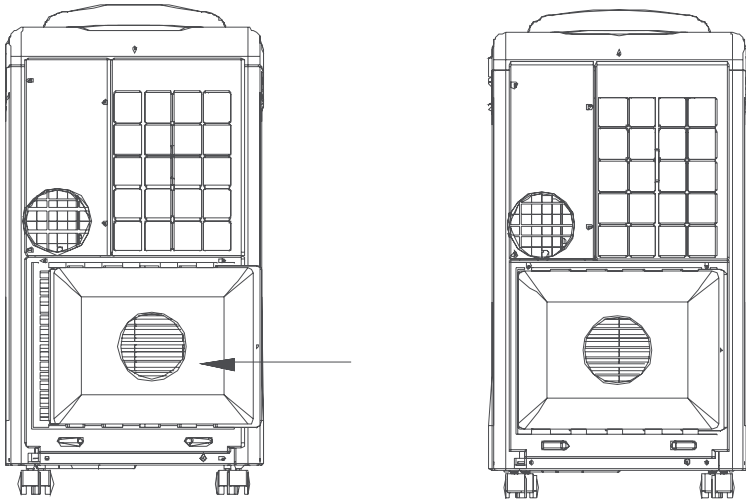
1. Connect the exhaust hose to the exhaust port.



2. Assemble the included window kit. The window kit is design to adjust to the size of your window opening. Once you have sized the kit appropriately to your window, place it into your window, shut the sash on it, and you may affix it into place with screws. CAUTION: if you feel this type of installation may create an unsafe situation, please install the portable air conditioner in another fashion or not at all.



- Place the end of the exhaust hose that is not connected to the portable air conditioner into a hole in the window kit. Make sure the other hole in the window kit is either covered up or connected to the intake hose for your portable air conditioner.



- If you wish to install the intake hose, make sure the plastic intake cover is mounted over the lower air intake on the rear of the portable air conditioner. Then affix the intake hose to the port on the intake cover and attach the other end of the hose to the other hole in the window kit. Running the unit with both hoses installed will increase both the speed and efficiency of cooling. However, please note that in areas with exterior temperatures in excess of 90°F, it is best to use the unit in single-hose mode.

NOTE: These installation steps only cover window installation. This portable air conditioner can be installed through a wall or run as a spot cooler. Please note that in any installation, the exhaust hose should be kept as short as possible, with no kinks or extreme turns. Also keep in mind the fact that the portable air conditioner will be expelling water vapor and/or droplets out the exhaust port. Take any appropriate precautions.

Control Panel



- ON/OFF – Turns the unit on or off
- MODE – Toggles modes
- SPEED – Adjusts the fan speed
- UP – Adjusts the temperature up
- DOWN – Adjusts the temperature down
- OSC. – turns the oscillating louvers on or off (the oscillating louvers direct air to the right and left)

Settings

MODES – when the unit is switched on, it automatically starts in the AUTO mode, which is factory pre-set to maintain a room temperature of 73°F. The other modes are COOL, FAN, and DRY.

In COOL mode, the desired temperature can be adjusted up or down and the portable air conditioner will cool until the room temperature reaches the selected temperature. Please note that in large rooms or high heat situations, the portable air conditioner may never bring the temperature down to the desired temperature.

In FAN mode, the portable air conditioner will blow air, but it will not cool the air.

In DRY mode, the portable air conditioner will act as a dehumidifier.

NOTE: in AUTO, COOL or DRY modes, the portable air conditioner will dehumidify the air. The water dehumidified from the air is exhausted out the exhaust port in vapor or droplet form.

SPEEDS – This portable air conditioner has three fan speeds. To tell which speed the fan is on, look at the control panel. The blinking colored bars on the control panel indicate the speed of the fan- the faster they blink, the faster the fan speed.

SLEEP – While in COOL mode, press the SLEEP button on the remote control. After an hour has elapsed, the set temperature on the portable air conditioner will increase by 2°F. After the next hour, the set temperature will increase by another 2°F.

TIMER – This feature can turn on or off the portable air conditioner after a set number of hours has elapsed. To use the TIMER to turn the unit on, turn on the portable air conditioner and set the mode and temperature that you would like. Then turn the unit off. Now point the remote control at the control panel and press the TIMER button. The portable air conditioner will beep if it received the message from the remote. Use the up and down buttons on the timer section of the remote to set the amount of time after which you would like the portable air conditioner to turn on. Verify that the number in the