

SAFETY PRECAUTIONS

Read all of the instructions before using this appliance. When using this appliance, always exercise basic safety precautions, including the following:

- Do not plug this appliance into the power socket before set up is completed.
- Do not use if the power supply cord is damaged. If damaged, it must be replaced by a qualified technician.
- Do not use this appliance with an extension cord or power strip. Please ensure that the appliance is plugged directly into the electrical outlet.
- Do not run the power cord over carpeting or other heat insulators. Do not cover the cord.
- Do not submerge in water.
- Do not cut or remove the third prong (the grounding prong) from the power cord.
- The cord should be secured behind the unit and should not be left exposed or dangling.
- Never pull the power cord to disconnect it from the outlet. Grasp the plug directly and pull it from the outlet.
- Never lift or carry the unit by the power cord.
- **Use extreme caution when using hot water dispenser. Do not let hot water touch bare skin. Exercise caution and use reasonable supervision when appliance is used near children.**
- This unit is intended for indoor use only.
- For stable installation, make sure the cooler is placed on a flat, level, and solid surface.
- When positioning the Ice Maker with Water Dispenser, ensure that there is at least a 2" clearance at the sides and at least 4" clearance at the back of the unit. This will allow for adequate ventilation of heat from the back of the unit.
- Avoid subjecting the cooler to external heat sources or direct sunlight.
- Do not tip over the unit.
- The Ice Maker with Water Dispenser is an electrical appliance. To avoid injury or death from electrical shock, do not operate the water dispenser with wet hands, while standing on a wet surface, or while standing in water.
- Do not use any liquid other than water in the dispenser or to make ice.
- Always turn off the unit and unplug it when there is no water left in a bottle or when changing a bottle. Turn it back on after a new bottle has been installed and purge excess air from the water dispenser buttons.
- Unplug the unit before cleaning or making any repairs.
- Do not clean the unit with flammable fluids. The fumes can create a fire hazard or explosion.
- Disconnect the unit when not in use.
- This appliance is designed for non-commercial use only.
- Performance may vary depending on operational conditions.

TABLE OF CONTENTS

IMPORTANT SAFETY INSTRUCTIONS	1
INTRODUCTIONS	3
<i>Welcome and thank you</i>	3
<i>For your reference</i>	3
<i>Need assistance</i>	3
GETTING TO KNOW YOUR UNIT	4
<i>Unit outline</i>	4
<i>Control panel</i>	5
<i>Main functions</i>	5
<i>Proper Location</i>	5
SETTING UP YOUR UNIT	6-7
<i>Unpack the unit</i>	6
<i>Clean your unit before first using</i>	7
OPERATING YOUR UNIT	7-9
<i>Prepare for use</i>	7
<i>Hot Water Operation</i>	8
<i>Cold Water Operation</i>	8
<i>Ice-making Operation</i>	8
CLEANING AND MAINTAINING YOUR UNIT	10
TROUBLESHOOTING GUIDE	12-14
PRODUCT SPECIFICATIONS	15
LIMITED WARRANTY	16-17

Welcome and Thank You

Welcome and thank you for purchasing this EdgeStar IW400SS Ice Maker with Water Dispenser. We are glad you choose us and we take pride in knowing that, like our products, our customer service will be just as dependable. Once you complete the easy unit set up by following this manual, your Ice Maker with water dispenser will provide you years of great service.

Please save the original product packaging in case you need to safely transport this appliance in the future.

For Your Reference...

Please write down the model and serial number here, as they are needed to obtain service for your unit. The two numbers are on the label located on the back of your unit. You may also want to staple your receipt to this manual. This will provide you with a quick reference as these numbers will need to be obtained for possible service under your warranty.

Model Number _____

Serial Number _____

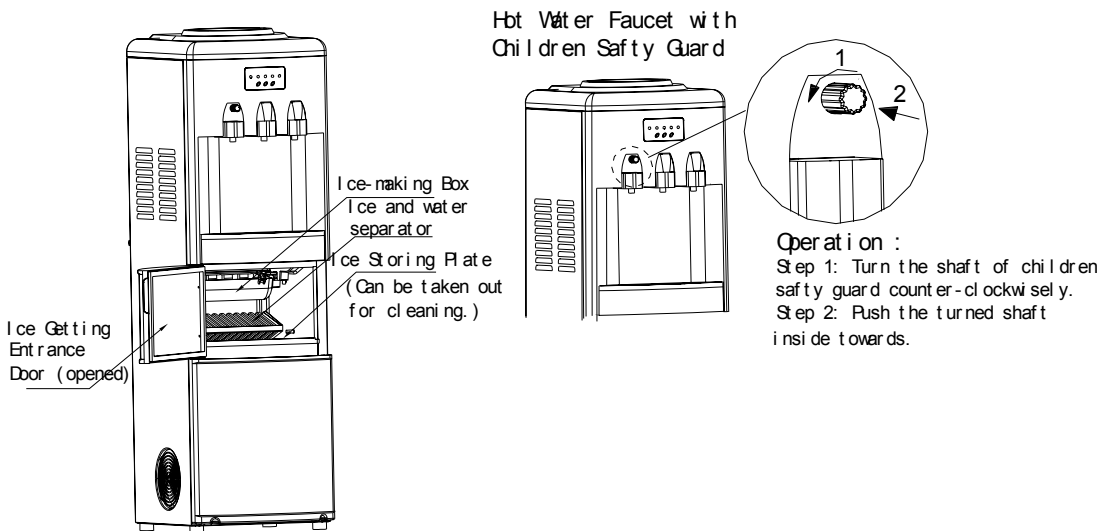
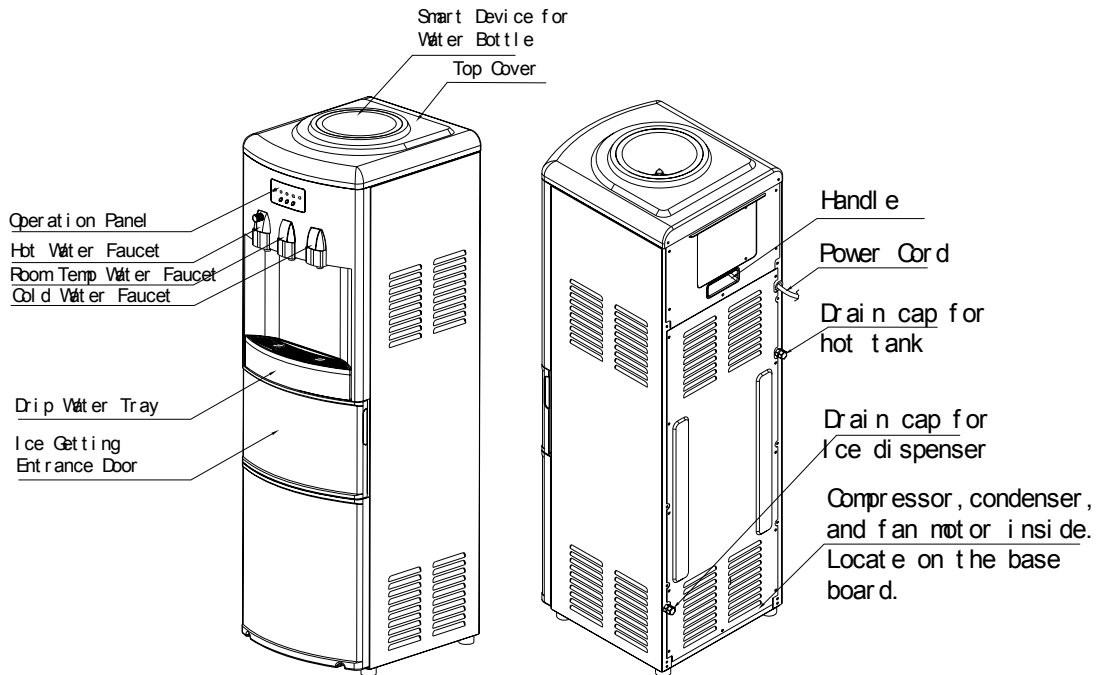
Need Assistance?

To better serve you, we ask that you do the following before contacting our customer service...

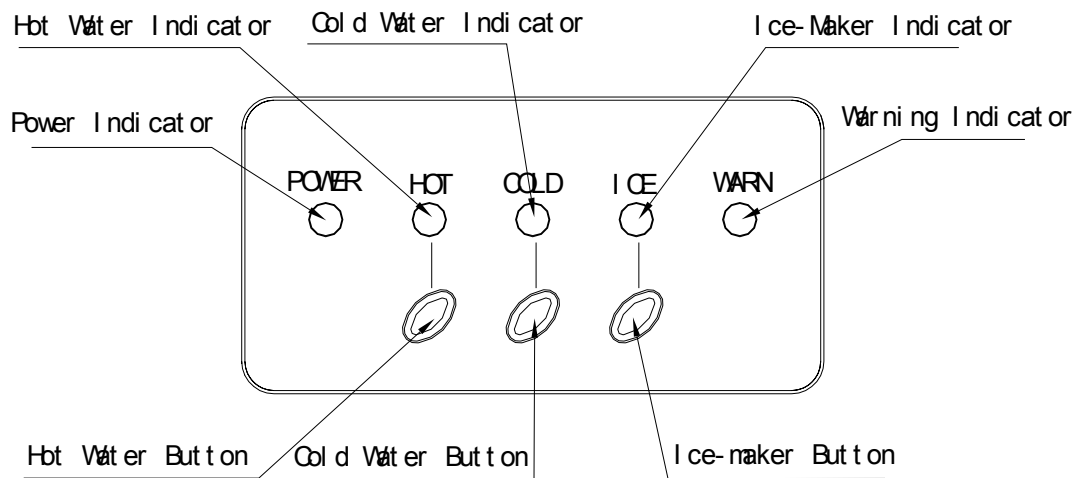
- **Read this manual:** it contains instructions to help you use and maintain your appliance properly.
- **If you received a damaged appliance:** please immediately contact the dealer that sold you the appliance.
- **Read the troubleshooting section:** in order to save you time and money we ask you to check this section before calling customer service. This section will help you solve common problems that might occur. If you do require service, our friendly and efficient customer service representatives are available online via email at service@edgestar.com or by telephone at 1-866-319-5473.

GETTING TO KNOW YOUR UNIT

Unit Outline



Control panel



Main functions

- Hot Water Dispensing
- Cold Water Dispensing
- Room Temperature Water Dispensing
- Ice-making

Proper Location

Position your Ice Maker with water dispenser in a location where there is proper air Circulation and electrical connections.

- Keep the unit away from heat and direct sunlight if possible.
- This unit should not be exposed to rain.
- This unit should not be placed in a built-in or recessed area. It is designed to be freestanding.
- The normal operation of the water dispenser depends on heat radiation from the condenser. For the initial use, remove all packaging and allow at least 6" of room around the freezer.
- The room temperature should not exceed 97F/36C

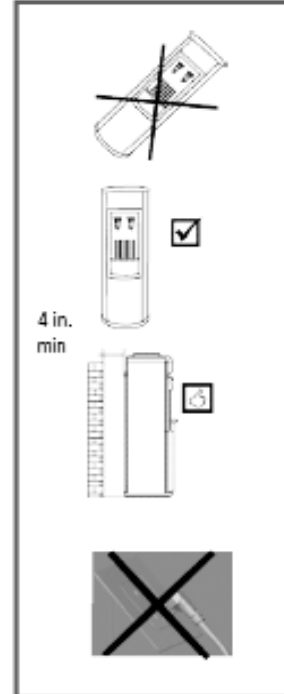
SETTING UP YOUR UNIT

UNPACKING THE UNIT

1. When removing the package, do not turn the unit upside down, or lay it on its side.
 - a. Remove the strapping
 - b. Open the carton box.
 - c. Remove the Styrofoam packing from the box.
 - d. Pull the unit straight up from the box.
 - e. Remove the plastic bag.

Note: The refrigeration compressor has very sensitive mounts inside of its welded shell in order to provide quiet running. Improper handling may damage the compressor.

2. Clean the interior surface with a little bit of lukewarm water and a soft cloth (See “Cleaning Your Unit Before Use” section).
3. The appliance must be positioned so that the plug is accessible.
4. Fasten the drain cap tightly at the back of the unit before you start to run the unit. During the shipping process, it may have loosened.



Note: Do not plug the power cord into the power socket yet! Read the instructions first.

This unit is for indoor use only.

Room temperature should not exceed 97°F

Cleaning Your Unit Before First Using

1. Remove the Ice scoop from ice-making cabinet.
2. Clean the outside of the unit with a mild detergent solution and warm water (this should be done regularly).
3. To clean the water tanks inside the unit take a clean water bottle and hold it upside down (over the smart device) and place it into the smart device receptacle. After allowing the water to flow into both tanks (the cold water tank and hot water tank). Open the drain cap for the hot tank (Upper right hand side) and let all of the water flow out, reinstall the drain cap and tighten it.
4. Clean the ice-making chamber with diluted detergent, warm water and a soft cloth, then use the water to rinse the inside parts, and drain out the water by unplugging the drain cap of the ice dispenser on the lower left hand side of the back of unit. Reinstall the drain cap and tighten it.
5. If you are not going to use the unit for an extended period of time, open and drain both water pans completely.

Before using your unit, it is strongly recommended you clean it thoroughly.

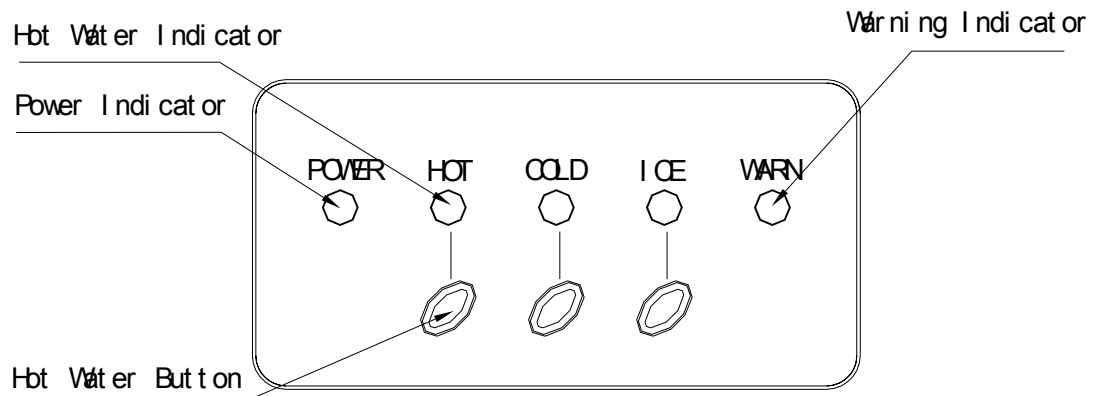
OPERATING YOUR UNIT

Prepare for Use

Improper use of the grounded plug can result in the risk of electrical shock. If the power cord is damaged please contact customer service representatives online via email at service@edgestar.com or by telephone at 1-866-319-5473.

1. Make sure that the unit is not plugged into the outlet.
2. Before placing drinkable water bottle on the unit, be sure that the drain caps on the back are tightly fastened.
3. Hold the water bottle vertically and upside down (over the smart device) and place the water bottle into the smart device receptacle. Slightly apply pressure to pierce the bottle cap with the spigot. This unit accepts two, three or five gallon water bottles with pierce-able sealed caps.
4. Push the water dispenser buttons to let the air out. When water starts to flow out, release the water dispenser buttons.
5. Plug the unit into a grounded power outlet. **Do not plug in the unit until water can flow out from all of the water faucets.**

Hot Water Operation

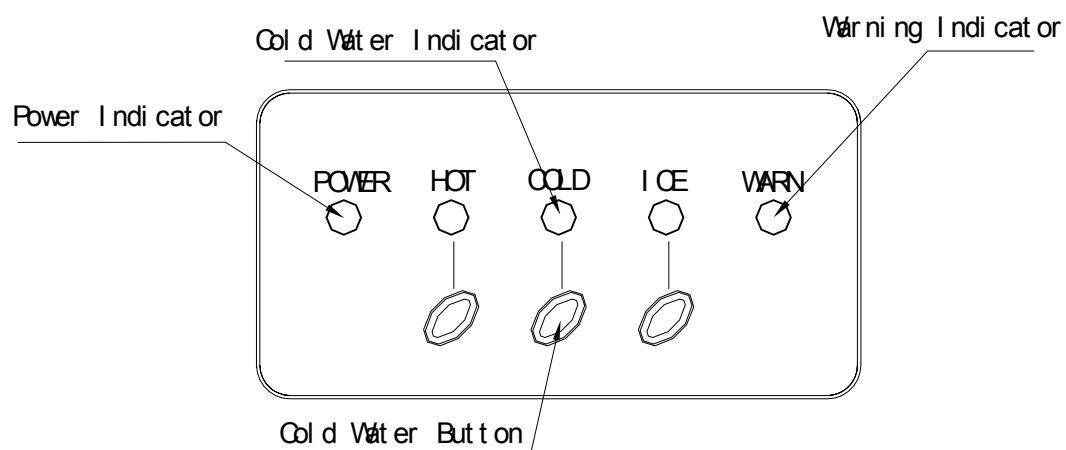


On the operation panel press the “HOT” button to start making hot water. The “HOT” green LED will begin to blink. This indicates that the water is warming. Once the blinking has stopped and the green LED is illuminated the hot water has reached the preset temperature and is ready to be dispensed.

Note: After replacing a water bottle, it is necessary to reset the hot water button on the operation panel.

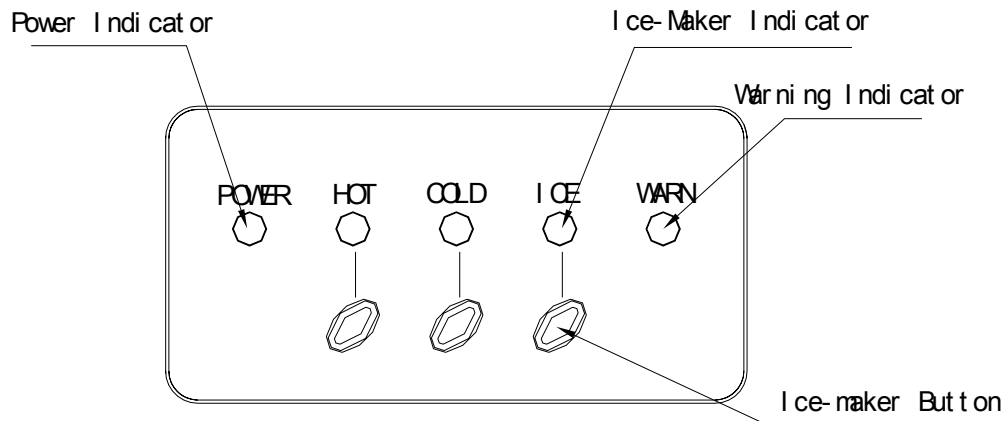
Note: If you will not be using the hot water function. You can save electricity by turning it off

Cold Water Operation



On the operation panel press the “COLD” button to start making cold water, The “COLD” green LED will begin to blink. This indicates that the water is chilling. Once the blinking has stopped and the green LED is illuminated the cold water has reached the preset temperature and is ready to be dispensed.

Ice-making Operation



1. On the operation panel press the “ICE” button to begin the ice making cycle.
2. The “ICE” Green LED will begin to blink.
3. The ice making cycle lasts between 7 and 15 minutes, depending on the ambient temperature of the surrounding room.

NOTE: While the ice-maker is on, the unit will verify the water level periodically. If there is not enough water to make ice, the ice maker will stop automatically, and the Warning indicator (“WARN”) will illuminate. If this occurs replace the empty water bottle with a new one and repeat steps 1-5.

4. The ice maker will automatically stop working when the unit has detected that the cabinet is full of ice. The “ICE” LED indicator will also change from blinking to illuminate, notifying you that the process has ended.
5. Open the ice box entrance door and use the ice scoop supplied as an accessory to get the ice from the unit.

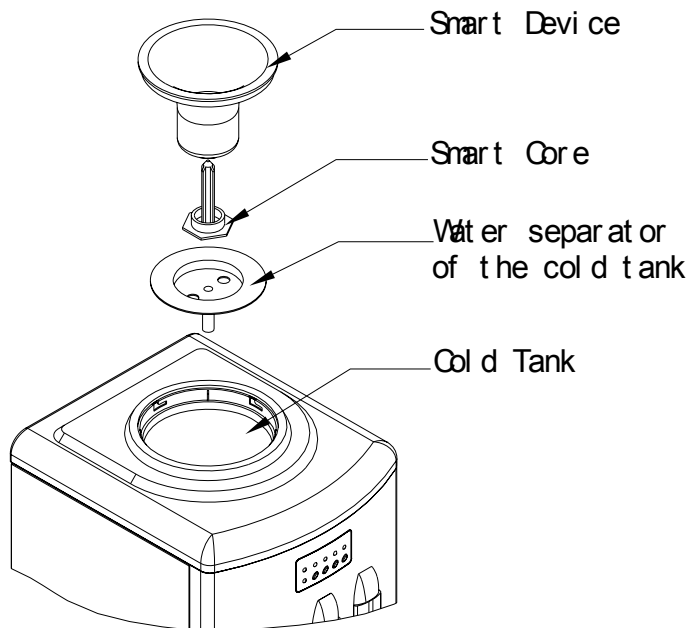
Note: For the Icemaker to work the “COLD” Function should be on in addition to the “ICE” button. If the “COLD” button on the operation panel has not been turned on, then you may have to wait until the compressor turns on to chill the water to a temperature that the ice maker can function.

CLEANING AND MAINTAINING YOUR UNIT

We recommend that you clean your unit every three months.

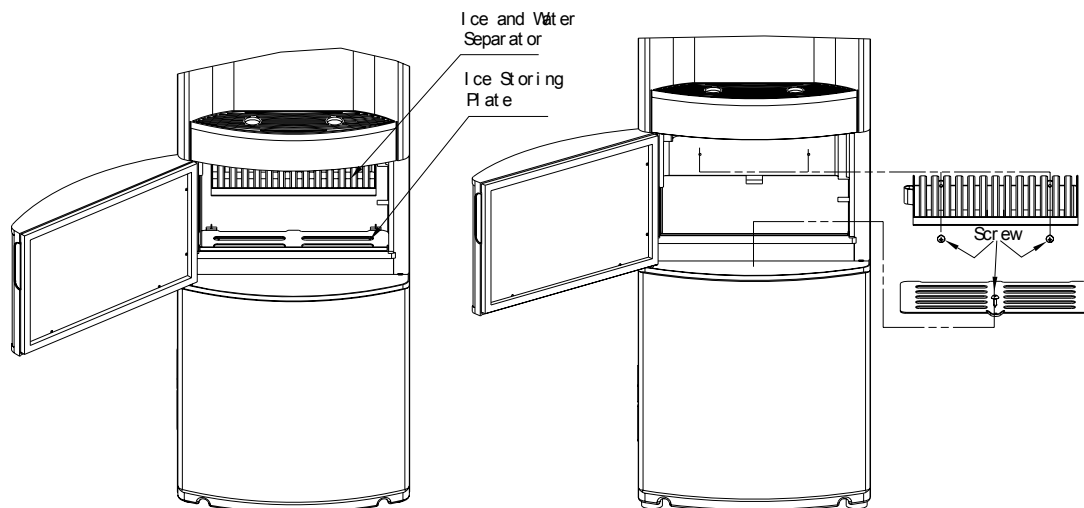
Warning: Unplug and drain your unit before cleaning it or performing maintenance!

- To clean the outside enclosure of the unit, wipe down with a wet soft cloth with liquid dish washing soap. Do not use steel brushes or aggressive detergents to clean the unit.
- To clean the hot and cold water dispenser system, first twist the bottle receptacle of the non-spill system (smart device) counterclockwise and pull it up.



Take apart the non-spill system (smart device and smart core showed in above figure), then wash it with dish washing fluid, rinse it and reassemble it. Empty both tanks (hot and cold) by unplugging the drain cap of the hot tank at the back of the unit. Then clean the inside parts of the water dispenser system. You may use a vinegar solution or a 2% citric acid solution to remove mineral scaling caused by the water. Rinse well, and then open the drain cap for the hot tank to remove the dirty water. Replace each part in its original location, and securely fastening the drain cap. Finally re-install the bottle receptacle (smart device).

- To clean the ice-making cabinet, remove the ice and water separator and ice storing plate by unscrewing the screw according following figure.



Wash the inside parts of ice-making cabinet with the dish washing fluid, thoroughly rinsing it, and opening the drain cap for ice dispenser on the bottom left corner to remove the dirty water. Securely re-fasten the drain cap. With dishwashing fluid, clean the ice and water separator, and ice storing plate. Be sure to rinse them. After drying, re-install both of them in their original positions.

TROUBLESHOOTING GUIDE

PROBLEM	CHECK	PROBABLE CAUSE	SOLUTION
The unit does not turn on	Plug	Not on the power outlet	Plug it in
	Circuit breaker (house)	Tripped	Check and reset
	Main Fuse (house)	Blown out	Replace
	Fuse on the PCB board	Blown out	Contact customer service representatives online via email at service@edgestar.com or by telephone at 1-866-319-5473
Hot water dispenser does not work	Hot water button and hot water LED indicator	Hot water function is not on	Press the "HOT" button on the operation panel
	"HOT" water LED light on operation panel	The heater is warming up the water	Wait till the "HOT" LED light stops blinking and is illuminated
	Hot water sensor	Malfunction	Contact customer service representatives online via email at service@edgestar.com or by telephone at 1-866-319-5473
	Cold water button and cold water LED indicator	Cold water function is not on	Press the "COLD" button on the operation panel
	"COLD" water LED light on operation panel	The compressor is cooling the water	Wait till the "COLD" LED light stops blinking and is illuminated
	Air clearance between the unit and the wall	The ventilation space around the apparatus unit is not sufficient.	Refer to section titled "Proper Location"
	Water separator in the cold tank	Malfunction	Contact customer service representatives online via email at service@edgestar.com or by telephone at 1-866-319-5473

	Water bottle	The temperature of water supplied (in the bottle) is too high. For example, if the bottle was exposed to direct sunlight for a long time.	Store the water bottle in a cool location
	“ICE” LED indicator	The icemaker requires the cold water function to be activated	Turn off the “ICE” button on the operation panel, or allow the icemaker to finish ice making cycle.
Ice maker is not working	“ICE” and “COLD” indicator on the control panel	Ice-making function is not turned on.	Press the “ICE” button.
	Cold water function	Both Ice-making and cold water function are running at same time.	Wait till both LED lights stop blinking and are illuminated
	Main power supply	The voltage is not in the correct range.	Switch off the power and restart when the power is normal.
The compressor runs for 1 to 5 minutes and stops.	Exhaust vent	Exhaust vent blocked	Remove foreign object

	Clearance around the unit	The condenser is not well-ventilated.	Select a well-ventilated place, and refer to section titled "Proper Location"
	Condenser	Too dirty	Clean it- contact customer service representatives- online via email at service@edgestar.com or by telephone at 1-866-319-5473
The compressor does not run.	Cooling system	The refrigerant has leaked.	Contact customer service representatives- online via email at service@edgestar.com or by telephone at 1-866-319-5473
	Compressor and its accessories	The controller is faulty (the power indicator is not on).	Contact customer service representatives online via email at service@edgestar.com or by telephone at 1-866-319-5473
	Water bottle	There is no water.	Replace with a new bottle
"WARN" indicator illuminates and buzzer sounds	Icemaker cabinet in the ice making chamber	The icemaker cabinet is clogged by the ice or mechanism	Stop the unit and wait to let the clogged ice melt.
Water leaks from the dispenser faucet(s)	Water dispenser button	Water dispenser button is obstructed	Check for obstructions and remove them
	Water faucets	A water faucet has been damaged.	Contact customer service representatives- online via email at service@edgestar.com or by telephone at 1-866-319-5473

Water is dripping out of the unit and onto the floor.	Water bottle	The bottle may have small pin holes.	Change to a new bottle.
	Both water drain caps on the back	Cap(s) loose	Tighten completely and check that the stopper inside the drain cap(s) is/are not torn or damaged
Unit is noisy	Floor	The unit is not level.	Refer to section titled "Proper Location"
	Clearance around the unit	Contact with other products.	Move it away from other products and refer to section titled "Proper Location"

PRODUCT SPECIFICATIONS

Model	IW400SS
Power Supply	115V~,60Hz
Ice-making Capacity	26 Lb/24Hours* (Ice-making only)
Cold Water Capacity	1 Gallon
Hot Water Capacity	1.3 Gallons
Total Electrical Rating	7.8A **
Ice-making/Ice-harvest Current	2.5A/3.5A **
Cold Water Current	2.5A
Heating Current	4.3A
Refrigerant and quantity	R134a,3.9 ounces
Design pressure (High Side)	220psig
Design pressure (Low Side)	88psig
Net Weight	51 pounds

TEST CONDITIONS: (*): Water Temperature: 77°F, Room Ambient: 77°F.

(**): As UL standard requirement: 104°F Room Ambient

LIMITED WARRANTY

This EdgeStar product is warranted to be free from defective workmanship and materials for the first year following the date of original purchase. Replacement parts will be supplied free of charge for the first year following the date of original purchase. Labor will be performed free of charge for the first 90 days following the date of original purchase.

WHAT IS COVERED:

This warranty applies to the original purchaser only, and only covers defects in workmanship experienced during operation of the product under normal service, maintenance, and usage conditions. This warranty applies to the purchase and use of this product in residential settings within the United States of America.

WHAT IS NOT COVERED:

The following limitations apply to the coverage of this warranty:

Optional accessories, attachments, and appearance items are excluded from warranty coverage, as is shipping damage, and any damage caused by improper voltage or any other misuse, including abnormal service, handling, or usage.

This warranty does not cover normal wear and tear on parts or replacement of parts designed to be replaced, e.g. filters, etc.

This warranty does not cover service trips to deliver, pick-up, repair, or install the product, or to instruct in proper usage of the product.

Damages or operating problems resulting from abuse, operation outside environmental specifications, uses contrary to instructions provided in the owner's manual, accidents, vermin, fire, flood, improper installation, unauthorized service, unauthorized installation or modification, or commercial use are excluded from warranty coverage.

This warranty does not cover labor incurred 91 days or more after the date of original purchase.

This warranty does not cover use of EdgeStar products in commercial settings.

DESCRIPTION OF WARRANTY SERVICE:

All defective product components covered by this warranty will be repaired or replaced, at EdgeStar's option, free of charge on a mail-in basis to EdgeStar's authorized repair facility during the first 90 days from the date of original purchase.

All defective product components covered by this warranty will be repaired or replaced, at EdgeStar's option, on a mail-in basis to EdgeStar's authorized repair facility during the time period beginning on the 91st day from the date of original purchase and ending one year from the date of original purchase. During this time period, parts will be supplied free of charge, but labor charges will apply.

All replacement parts and units will be new, re-manufactured, or refurbished.

All products and components replaced by EdgeStar under warranty service become

the property of EdgeStar.

OBTAINING WARRANTY SERVICE:

Contact EdgeStar for troubleshooting assistance and warranty service authorization at 1-866-319-5473. Please have your order receipt available to confirm the date of purchase.

Once an EdgeStar authorized representative has confirmed that your product is eligible for warranty service, the product must be returned to our EdgeStar repair facility.

The purchaser is solely responsible for prepaying all shipping related costs to and from the repair facility.

EdgeStar is not responsible for damage resulting from shipper mishandling or improper packaging.

Do not return defective product to the place of purchase.

THIS WARRANTY IS IN LIEU OF ANY OTHER WARRANTY, EXPRESS OR IMPLIED, INCLUDING WITHOUT LIMITATION, ANY WARRANTY OF MERCHANTABILITY OR FITNESS FOR A PARTICULAR PURPOSE. TO THE EXTENT ANY IMPLIED WARRANTY IS REQUIRED BY LAW, IT IS LIMITED IN DURATION TO THE EXPRESS WARRANTY PERIOD ABOVE. NEITHER THE MANUFACTURER NOR ITS DISTRIBUTORS SHALL BE LIABLE FOR ANY INCIDENTAL, CONSEQUENTIAL, INDIRECT, SPECIAL, OR PUNITIVE DAMAGES OF ANY NATURE, INCLUDING WITHOUT LIMITATION, LOST REVENUES OR PROFITS, OR ANY OTHER DAMAGE WHETHER BASED IN CONTRACT, TORT, OR OTHERWISE. SOME STATES DO NOT ALLOW THE EXCLUSION OF INCIDENTAL OR CONSEQUENTIAL DAMAGES, SO THE ABOVE EXCLUSION MAY NOT APPLY TO YOU. THIS WARRANTY GIVES YOU SPECIFIC LEGAL RIGHTS. YOU MAY HAVE OTHER RIGHTS THAT VARY FROM STATE TO STATE.